

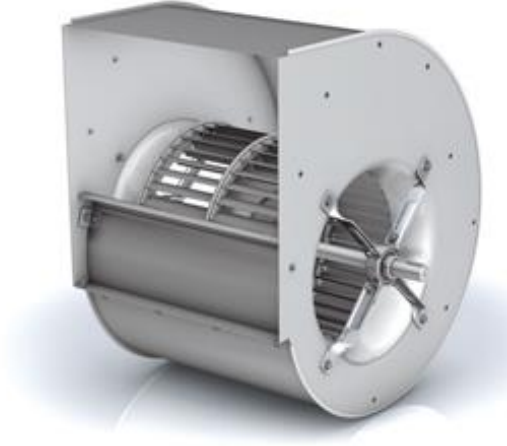
Technical Data Sheet

CODE 11935

NICOTRA Gebhardt AT 12/9

Centrifugal Fans AT belt driven

NICOTRA | Gebhardt



Nicotra Gebhardt S.p.A. (Italy)
Nicotra Gebhardt GmbH (Germany)

TECHNICAL AND PERFORMANCE DATA

Permissible Nominal Motor Power	kW	5.5
Permissible Fan Speed	rpm	2000
Permissible Bearing Load	N	620
Permissible Media Temperature	°C	-20/+85
Maximum Delivery Airflow	m ³ /h	10500
Maximum Delivery Pressure	Pa	1760
Fan Weight	kg	12.7

İletişim Bilgileri:

Adres: İkitelli OSB Marmara Sanayi Sitesi C Blok Sk.C blok No:4 P.K :34307 Küçükçekmece / İstanbul

Telefon : (+90) 212 901 00 77

Email: info@avensair.com satis@avensair.com

Technical Data Sheet

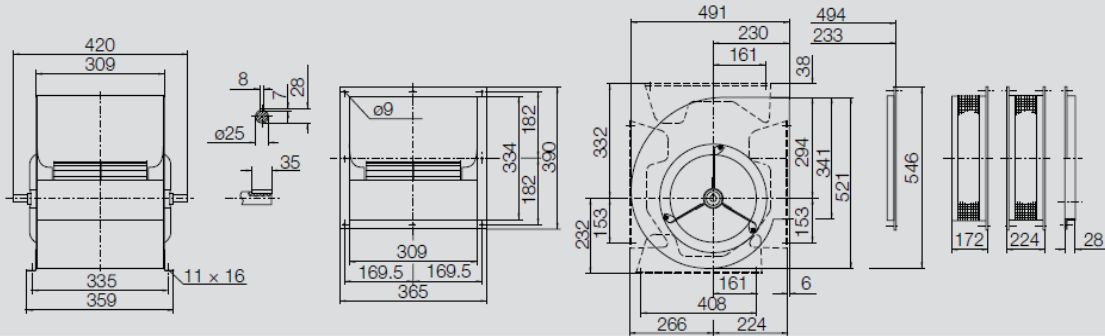
CODE 11935

NICOTRA Gebhardt AT 12/9

Centrifugal Fans AT belt driven



Dimensions in mm, subject to change.
AT S-12/9 12.7 kg

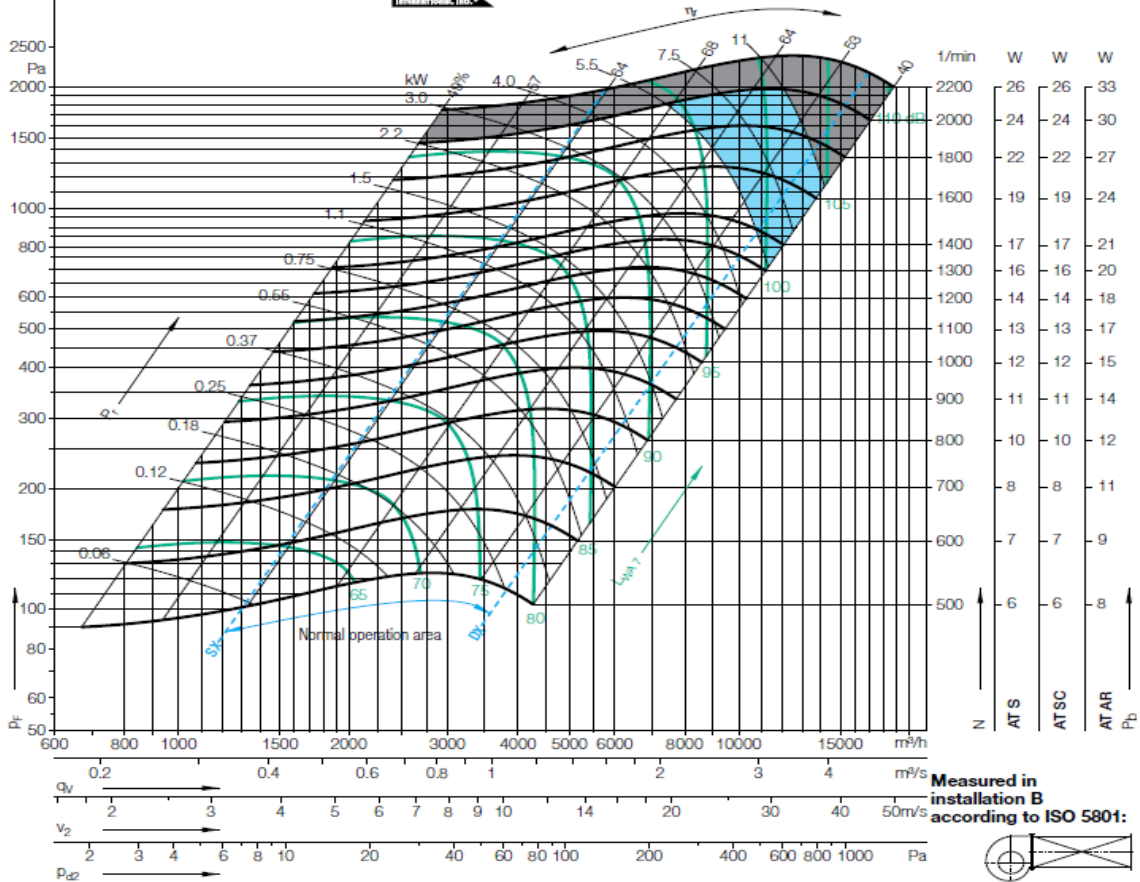


Performance Curves

Please note coloured area!
 □ all types suitable
 ■ AT AR only
 ■ do not use in this area



Nicotra Gebhardt S.p.A certifies that the fan shown herein is licensed to bear the AMCA Seal. The ratings shown are based on tests and procedures performed in accordance with AMCA Publication 211 and comply with the requirements of the AMCA Certified Ratings Program. The AMCA Certified Ratings Seal applies to air performance ratings only.



İletişim Bilgileri:

Adres: İkitelli OSB Marmara Sanayi Sitesi C Blok Sk.C blok No:4 P.K :34307 Küçükçekmece / İstanbul

Telefon : (+90) 212 901 00 77

Email: info@avensair.com satis@avensair.com